

SG-PTZ2090NIO-L1K5

- 2MP 90x Long Range Zoom Starlight Laser Network Vehicle PTZ Camera



1. Features

- > 1/1.8" Sony Starvis 2 CMOS Sensor.
- > Powerful 90x optical zoom (6~540mm).
- > Max. 2MP(1920×1080) Resolution.
- > Support various IVS functions.
- > Support Electronic Defog and Optical Defog.
- > Hisilicon new generation AI noise reduction ISP, restoring the true color world.
- > Up to 1500m Laser IR Distance.
- > Horizontal 360° rotation, speed up to 0°~60°/s.
- > Vertical -84°~+84°, speed up to 0°~40°/s.
- > Military Connector.
- > IP66.

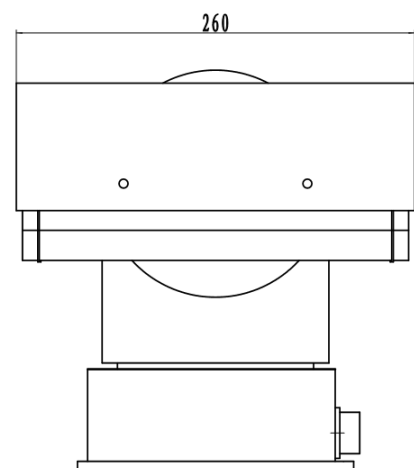
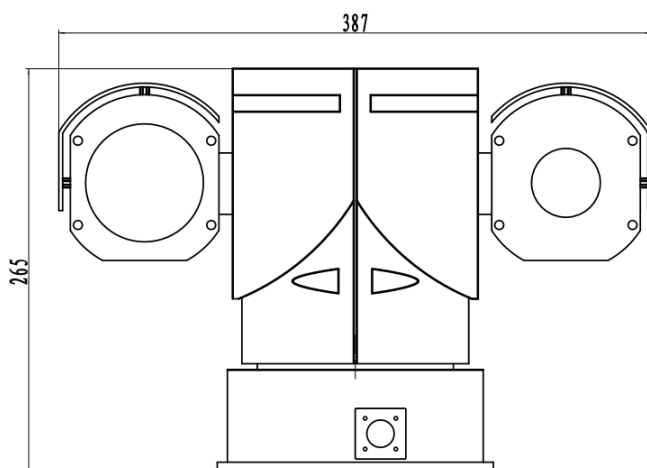
2. Specification

Model		SG-PTZ2090NIO-L1K5			
Sensor	Image Sensor	1/1.8" Sony Starvis 2 progressive scan CMOS			
	Effective Pixels	Approx. 8.40 Megapixel			
Lens	Focal Length	6mm~540mm, 90x Optical Zoom			
	Aperture	F1.4~F4.87			
	Field of View	H: 65.24°~0.81°, V: 39.60°~0.46°, D: 72.58°~0.94°			
	Close Focus Distance	1m~10m (Wide~Tele)			
	Zoom Speed	< 10s (Wide~Tele)			
	DORI Distance	Detect	Observe	Recognize	Identify

	(Human)	10,800m	4,286m	2,160m	1,080m
Video	Compression	H.265/H.264B/H.264M/H.264H/MJPEG			
	Streaming Capability	3 streams			
	Resolution	Main Stream: 50/60fps@1920×1080; 50/60fps@1280×720 Sub-Stream1: 50/60fps@704×576; 50/60fps@640×480 Sub-Stream2: 25/30fps@1920×1080; 25/30fps@1280×720			
	Video Bit Rate	32kbps~16Mbps			
	Audio	AAC / MP2L2			
Network	Network Protocol	IPv4, IPv6, HTTP, HTTPS, TCP, UDP, RTSP, RTCP, RTP, ARP, NTP, FTP, DHCP, PPPoE, DNS, DDNS, UPnP, IGMP, ICMP, SNMP, SMTP, QoS, 802.1x, Bonjour			
	API	ONVIF, HTTP API, SDK			
	Web Browser	IE, Edge, Firefox, Chrome			
	User	Up to 20 users, 2 level: Administrator, User			
	Storage	Micro SD/SDHC/SDXC card (Up to 1TB) edge storage, FTP, NAS			
	Multicast	Support			
General Events		Motion, Tamper, SD Card, Network			
IVS		Tripwire, Cross Fence Detection, Intrusion, Abandoned Object, Fast-Moving, Parking Detection, Crowd Gathering Estimation, Missing Object, Loitering Detection.			
Target Distinction		Human/Vehicle			
S/N Ratio		≥55dB			
Minimum Illumination		Color: 0.001Lux/F1.4; B/W: 0.0001Lux/F1.4			
Noise Reduction		2D/3D/AI Noise Reduction			
Exposure Mode		Auto, Aperture Priority, Shutter Priority, Gain Priority, Manual			
Exposure Compensation		Support			
Shutter Speed		1/1~1/30000s			
BLC		Support			
HLC		Support			
WDR		Support			
White Balance		Auto, Manual, Indoor, Outdoor, ATW, Sodium lamp, Street lamp, Natural, One Push			
Day/Night		ICR(Auto/Manual)			
Focus Mode		Auto, Manual, Semi Auto, Fast Auto, Fast Semi Auto, One Push AF			
Electronic Defog		Support			
Optical Defog		Support, 750nm~1100nm channel is Optical Defog			
Heat Haze Reduction		Support			
Flip		Support			
EIS		Support			
Digital Zoom		16x			
IR Distance		Up to 1500m			
IR On/OFF Control		Auto/Manual			

IR LEDs	Laser Module	
Wiper	N/A	
PTZ	Material	Integrative structure design, Aluminum-Alloy shell
	Driving Mode	Turbine Worm Drive
	Power-Off Protection	Support
	Pan/Tilt Range	Pan: 360°, Endless; Tilt: -84°~84°
	Pan/Tilt Speed	Adjustable, pan: 0°~60°/s; Tilt: 0°~40°/s;
	Tour	4
	Presets	128
	Protocol	Pelco-P/D
	Military Connector	Support
Ethernet	RJ-45 (10Base-T/100Base-TX)	
RS485	1	
Audio I/O	1/1	
Alarm I/O	1/1	
Cable	5m by default (with 2m Circle Protection part)	
Power Supply	DC24~36V±15% / AC24V	
Power Consumption	56W	
Operating Conditions	-30°C~+60°C/20% to 80%RH	
Protection Level	IP66; TVS 4000V Lightning Protection, surge prevention	
Casing	Metal	
Color	White by default (Black Optional)	
Dimensions(L*W*H)	Approx. 260mm*387mm*265mm	
Net Weight	8.8kg	
Gross Weight	16.7kg	

3. Dimension



Hangzhou Savgood Technology Co., Ltd.

Rm. 1201, Xincheng Fazhan Building #1, No. 406 Xintiandi Street,
Gongshu District, Hangzhou City, 310022, China
Tel: +86 - (571) 8803 8121
Email: sales@savgood.com
<http://www.savgood.com>
<http://www.savgoodtech.com>

*Design and specifications are subject to change without prior notification.
© 2013 Savgood Technology Co., Ltd.